

BALDOR® • RELIANCE 

Product Information Packet

VEBM3546T-5D

1HP,1760RPM,3PH,60HZ,143TC,3520M,TEFC,F3

| Part Detail | | | | | | | |
|-------------|--------|-------------|------------|-------------|--------|---------------|------------|
| Revision: | Q | Status: | PRD/A | Change #: | | Proprietary: | No |
| Type: | AC | Elec. Spec: | 35WGM849 | CD Diagram: | CD0006 | Mfg Plant: | |
| Mech. Spec: | 35X050 | Layout: | 35LYX050 | Poles: | 04 | Created Date: | 08-03-2010 |
| Base: | N | Eff. Date: | 12-20-2018 | Leads: | 3#18 | | |

| Specs | | | |
|---------------------------------|-------------------------|--------------------------------|-----------------------|
| Catalog Number: | VEBM3546T-5D | IP Rating: | NONE |
| Enclosure: | TEFC | KVA Code: | L |
| Frame: | 143TC | Lifting Lugs: | No Lifting Lugs |
| Frame Material: | Steel | Locked Bearing Indicator: | Locked Bearing |
| Output @ Frequency: | 1.000 HP @ 60 HZ | Motor Lead Quantity/Wire Size: | 3 @ 18 AWG |
| Synchronous Speed @ Frequency: | 1800 RPM @ 60 HZ | Motor Lead Exit: | Ko Box |
| Voltage @ Frequency: | 575.0 V @ 60 HZ | Motor Lead Termination: | Flying Leads |
| XP Class and Group: | None | Motor Type: | 3520M |
| XP Division: | Not Applicable | Mounting Arrangement: | F3 |
| Agency Approvals: | CSA | Power Factor: | 71 |
| | CSA EEV | Product Family: | General Purpose |
| | UR | Product Type: | D-SERIES BRAKE MOTORS |
| Auxillary Box: | No Auxillary Box | Pulley End Bearing Type: | Sealed Bearing |
| Auxillary Box Lead Termination: | None | Pulley Face Code: | C-Face |
| Base Indicator: | No Mounting | Pulley Shaft Indicator: | Standard |
| Bearing Grease Type: | Polyrex EM (-20F +300F) | Rodent Screen: | None |
| Blower: | None | Shaft Extension Location: | Pulley End |
| Current @ Voltage: | 1.200 A @ 575.0 V | Shaft Ground Indicator: | No Shaft Grounding |

| | | | |
|---------------------------------------|-----------------------------|------------------------------------|---------------------|
| Design Code: | B | Shaft Rotation: | Reversible |
| Drip Cover: | No Drip Cover | Shaft Slinger Indicator: | No Slinger |
| Duty Rating: | CONT | Speed Code: | Single Speed |
| Electrically Isolated Bearing: | Not Electrically Isolated | Motor Standards: | NEMA |
| Feedback Device: | NO FEEDBACK | Starting Method: | Direct on line |
| Front Face Code: | Fan Housing Cover For Brake | Thermal Device - Bearing: | None |
| Front Shaft Indicator: | None | Thermal Device - Winding: | None |
| Heater Indicator: | No Heater | Vibration Sensor Indicator: | No Vibration Sensor |
| Insulation Class: | F | Winding Thermal 1: | None |
| Inverter Code: | Inverter Ready | Winding Thermal 2: | None |

| Nameplate NP1259L | | | | | | | | | | |
|-------------------|--------------|--|------|----|----------------|------|--|----|----|---|
| CAT.NO. | VEBM3546T-5D | | | | | | | | | |
| SPEC. | 35X050M849G1 | | | | | | | | | |
| HP | 1 | | | | | | | | | |
| VOLTS | 575 | | | | | | | | | |
| AMP | 1.2 | | | | | | | | | |
| RPM | 1760 | | | | | | | | | |
| FRAME | 143TC | | | | HZ | 60 | | | PH | 3 |
| SER.F. | 1.15 | | CODE | L | DES | B | | CL | F | |
| NEMA-NOM-EFF | 85.5 | | PF | 71 | | | | | | |
| RATING | 40C AMB-CONT | | | | | | | | | |
| CC | 010A | | | | USABLE AT 208V | | | | | |
| DE | 6205 | | | | ODE | 6205 | | | | |
| ENCL | TEFC | | SN | | | | | | | |

| Parts List | | |
|-------------|--|----------|
| Part Number | Description | Quantity |
| SA200661 | SA 35X050M849G1 | 1.000 EA |
| RA187972 | RA 35X050M849G1 | 1.000 EA |
| NS2512A01 | INSULATOR, CONDUIT BOX X | 1.000 EA |
| 35CB4007 | KOBX,W/PRIMER (REL# 79097-49-C) | 1.000 EA |
| 35GS3009 | GASKET, KOBX 35CB4006 (411881-15A) | 1.000 EA |
| WD4101A13 | STEEL CAPLUG,BP-1 1/8, PLUG D3561S | 1.000 EA |
| 51XB1016A05 | 10-16X5/16HX WA SL SR TYB (F/S) | 2.000 EA |
| 11XW1032G06 | 10-32 X .38, TAPTITE II, HEX WSHR SLTD U | 1.000 EA |
| HW3001B02 | BRASS CUP WASHER W/GROUND SYMBOL TAB, | 1.000 EA |
| 35EP3119A01 | SPL FREP TEFC 205 BRG | 1.000 EA |
| HW5100A05 | WVY WSHR F/205 & 304 BRGS | 1.000 EA |
| 35EP3307F00 | MASTER DE,205 BRG,.998SH,#26 DRN | 1.000 EA |
| 51XN1032A20 | 10-32 X 1 1/4 HX WS SL SR | 2.000 EA |
| 35FH3004A01 | FAN COVER ASSY, BRAKE MTG | 1.000 EA |
| 51XN1032A32 | 10-32 X 2 HX WS SL SR | 4.000 EA |
| BR2006B01 | DBSC SPLINED HUB 5/8 BOR | 1.000 EA |
| 35FN3003A01 | EXFN, PLASTIC, 5.88 OD, .626 ID | 1.000 EA |
| 35CB4519 | CB LID W/BLACK PRIMER | 1.000 EA |
| 35GS3019A01 | LEXIDE GASKET, FOR KOBX LID 35CB4519 | 1.000 EA |
| 51XW0832A07 | 8-32 X .44, TAPTITE II, HEX WSHR SLTD SE | 4.000 EA |
| WD4006A01 | WIRE JOINT,T&B RB-4 OR RB-44 | 2.000 EA |
| HW2501D13 | KEY, 3/16 SQ X 1.375 | 1.000 EA |
| HA7000A04 | KEY RETAINER 0.625 DIA SHAFTS | 1.000 EA |
| 85XU0407S04 | 4X1/4 U DRIVE PIN STAINLESS | 2.000 EA |

| Parts List (continued) | | |
|-------------------------------|---|-----------------|
| Part Number | Description | Quantity |
| LB1419 | CONNECTION LABEL | 1.000 EA |
| MJ1000A02 | GREASE, MOBIL POLYREX EM - 124047 | 0.050 LB |
| MG1025N19 | MUNSELL 8.5BG 3.57/2.0, GLOSS 30, B/G, | 0.017 GA |
| HA3100A11 | THRUBOLT 10-32 X 6.750 | 4.000 EA |
| 46BK0204C01 | DBSC-VP-6-MA-287/575 VAC | 1.000 EA |
| LB1119N | WARNING LABEL | 1.000 EA |
| LC0006 | CONNECTION LABEL | 1.000 EA |
| NP1259L | ALUM SUPER-E UL CSA-EEV CC NEMA PREMIUM | 1.000 EA |
| G7PA1000 | PKG GRP, PRINT PK1034A06 | 1.000 EA |
| PK3082 | STYROFOAM CRADLE | 2.000 EA |
| MN416A01 | TAG-INSTAL-MAINT no wire (1200/bx) 3/19 | 1.000 EA |
| PE-0000001 | ZRTG PE ASSEMBLY | 1.000 EA |

AC Induction Motor Performance Data

Record # 32073 - Typical performance - not guaranteed values

| | | |
|-------------------------------|--------------------|------------------------|
| Winding: 35WGM849-R001 | Type: 3520M | Enclosure: TEFC |
|-------------------------------|--------------------|------------------------|

| Nameplate Data | | | | 575 V, 60 Hz: Single Voltage Motor | |
|-----------------------|--------------|--------------|----|---------------------------------------|--------------------------|
| Rated Output (HP) | 1 | | | Full Load Torque | 2.99 LB-FT |
| Volts | 575 | | | Start Configuration | direct on line |
| Full Load Amps | 1.2 | | | Breakdown Torque | 13.3 LB-FT |
| R.P.M. | 1760 | | | Pull-up Torque | 8.11 LB-FT |
| Hz | 60 | Phase | 3 | Locked-rotor Torque | 8.38 LB-FT |
| NEMA Design Code | B | KVA Code | L | Starting Current | 9.77 A |
| Service Factor (S.F.) | 1.15 | | | No-load Current | 0.84 A |
| NEMA Nom. Eff. | 85.5 | Power Factor | 71 | Line-line Res. @ 25°C | 23.9 Ω |
| Rating - Duty | 40C AMB-CONT | | | Temp. Rise @ Rated Load | 36°C |
| S.F. Amps | | | | Temp. Rise @ S.F. Load | 42°C |
| | | | | Locked-rotor Power Factor | 53.9 |
| | | | | Rotor inertia | 0.118 LB-FT ² |

Load Characteristics 575 V, 60 Hz, 1 HP

| % of Rated Load | 25 | 50 | 75 | 100 | 125 | 150 | S.F. |
|-----------------|-------|-------|------|------|------|------|------|
| Power Factor | 29 | 47 | 60 | 69 | 76 | 80 | 75 |
| Efficiency | 74.4 | 83.2 | 85.2 | 85.9 | 85.3 | 84.4 | 85.5 |
| Speed | 1790 | 1780 | 1770 | 1760 | 1748 | 1735 | 1754 |
| Line amperes | 0.872 | 0.977 | 1.1 | 1.26 | 1.46 | 1.68 | 1.35 |

Performance Graph at 575V, 60Hz, 1.0HP Typical performance - Not guaranteed values

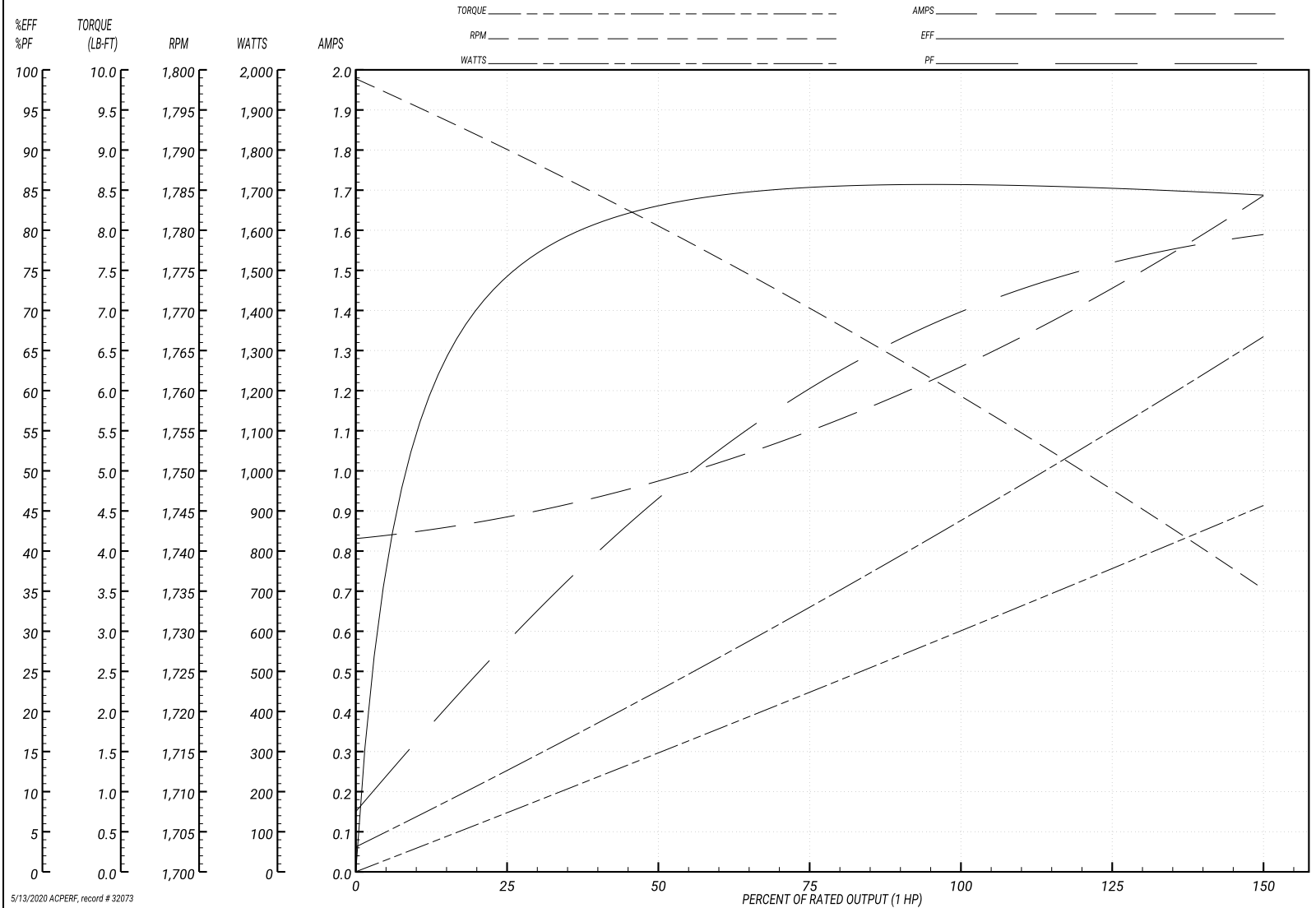
ABB Motors and Mechanical Inc.

WINDING # 35WGM849

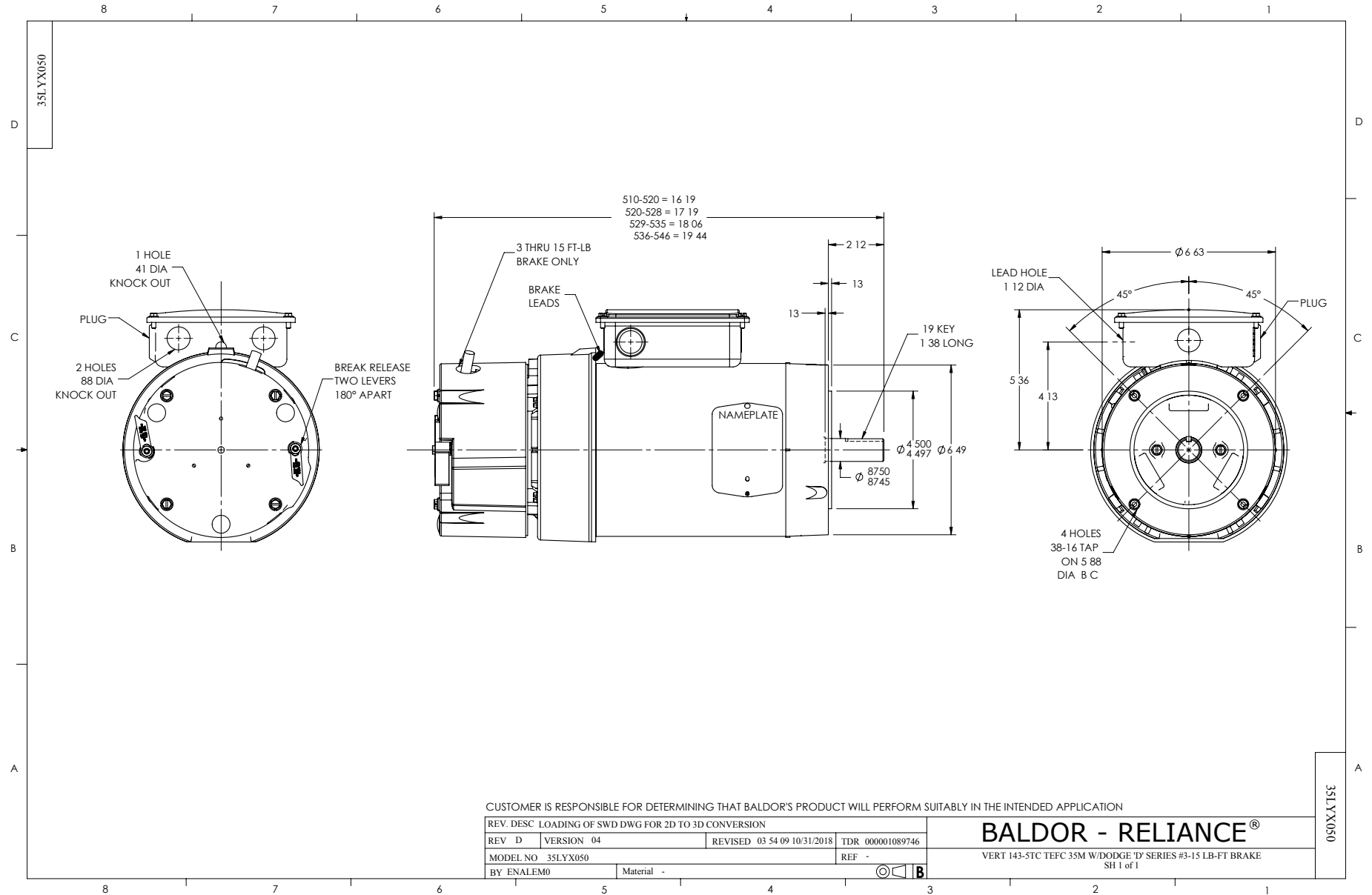
Typical performance - not guaranteed values.

1 HP 3 PH 60 HZ 1760 RPM 575 V 3520M

TORQUES(LB-FT): PO=13.3 PU=8.11 LR=8.38 LRA=9.77



5/13/2020 ACPERF, record # 32073



CD0006



NOTES:

1. THREE LEAD MOTOR MAY BE EITHER WYE CONNECTED OR DELTA CONNECTED.
2. INTERCHANGE ANY TWO LINE LEADS TO REVERSE ROTATION.
3. OPTIONAL THERMOSTATS ARE PROVIDED WHEN SPECIFIED.
4. ACTUAL NUMBER OF INTERNAL PARALLEL CIRCUITS MAY VARY.
5. LEAD COLORS ARE OPTIONAL. LEADS MUST BE NUMBERED AS SHOWN.

CD0006

| | | |
|-----------------------------------|------------------------------|-------------------|
| REV. DESC: ADD CLASS CONN00000007 | | |
| REV. LTR: E | VERSION: 01 | TDR: 000001099922 |
| FILE: \AAA\00005\141 | REVISED: 10:24:49 02/19/2019 | BY: ENBRIRO |
| MTL: - | © □ | |

BALDOR - RELIANCE®

3PH, SV, 3 LEADS, WYE OR DELTA CONNECTED

SH 1 of 1